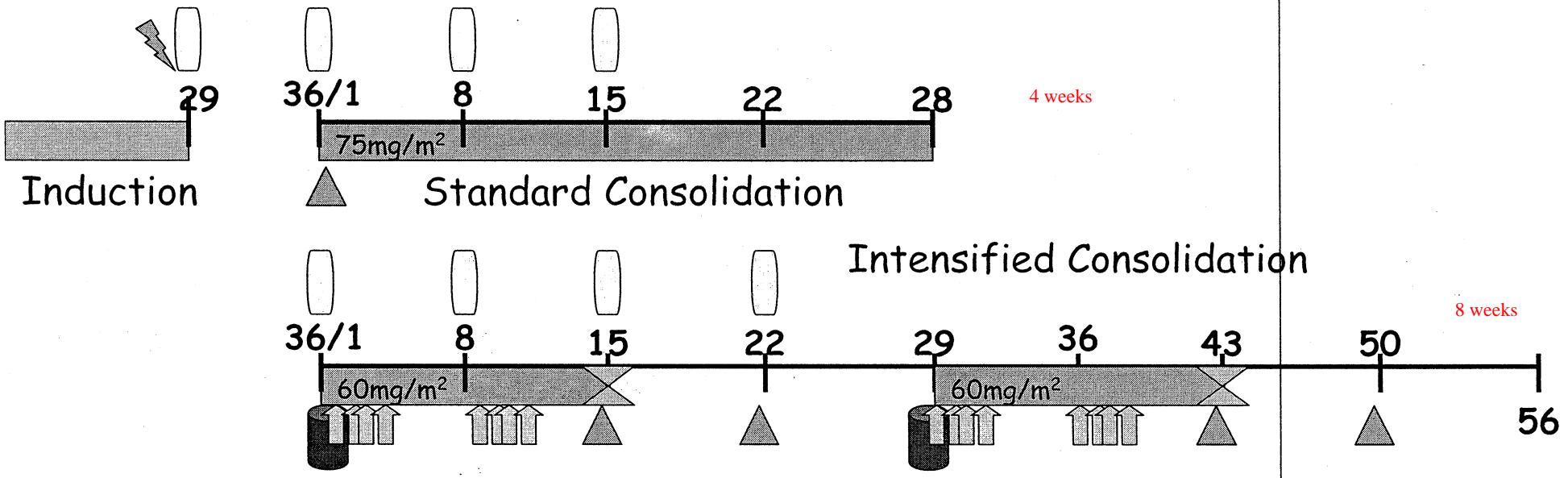


- pre B - most common
- CNS / testes
  - RER
  - cytogenetics - Neutral
  - MRD

# AALL0331

## SR Average

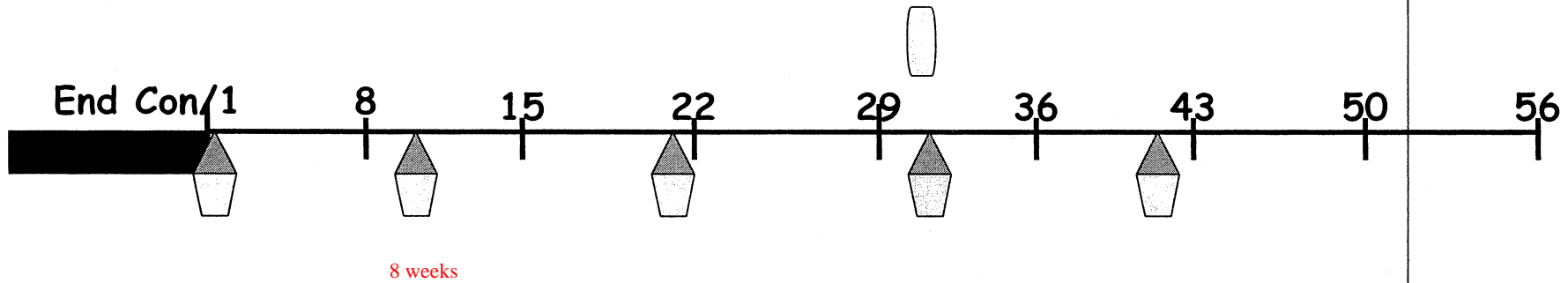
Consolidation  
 Standard (SS-IV)  
 Intensified (IS-IV)



- Mercaptopurine
- ▲ Vincristine IV
- ⊖ Intrathecal Methotrexate
- ⊗ PEG Asparaginase shot
- Cyclophosphamide
- HRQOL
- ↑↑↑ Cytarabine (AraC) IV

# AALL0331 SR Average

Interim Maintenance  
Standard (SIM-IV MTX)



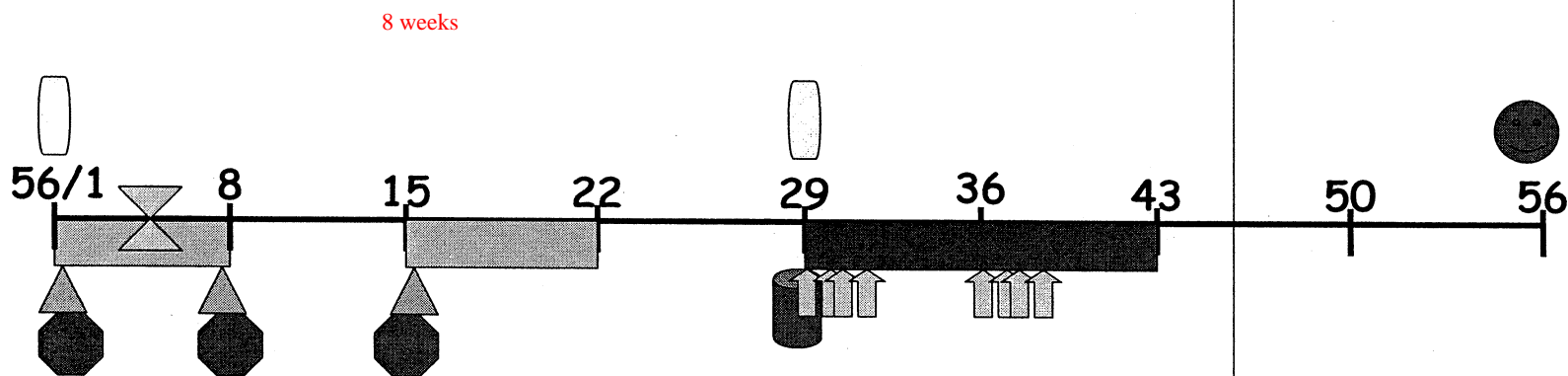
▲ Vincristine

○ Intrathecal Methotrexate

▽ IV Methotrexate

# AALL0331 SR Average

Delayed Intensification  
Standard (SDI)

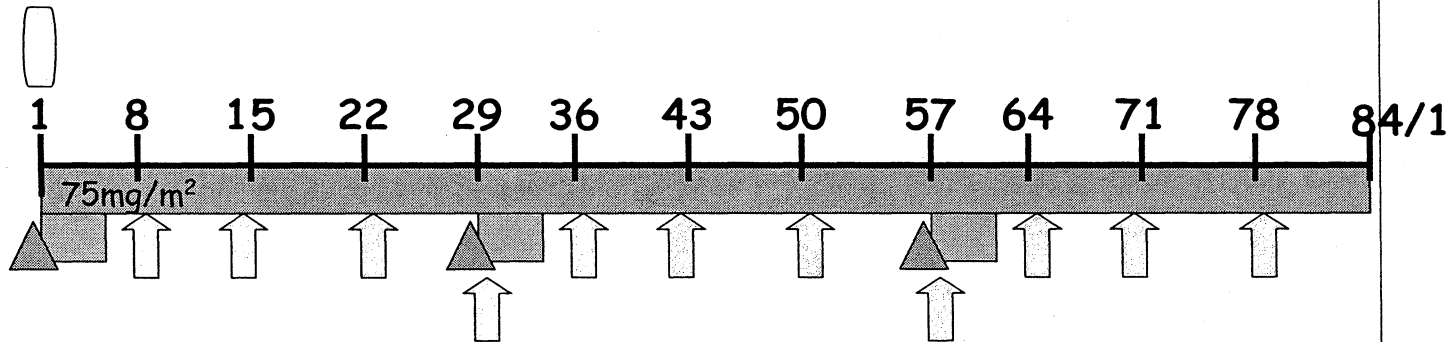


- Dexamethasone
- Vincristine
- Doxorubicin
- Thioguanine
- Cyclophosphamide
- Intrathecal Methotrexate
- PEG Asparaginase
- Cytarabine

# AALL0331

## SR All Groups

MAINTENANCE



- 12-week cycles
- Total therapy time (from start of interim maintenance or augmented IM)
  - For girls: 2 years
  - For boys: 3 years

■ Mercaptopurine

▲ Vincristine

○ Intrathecal Methotrexate

■ Dexamethasone

↑ Oral Methotrexate